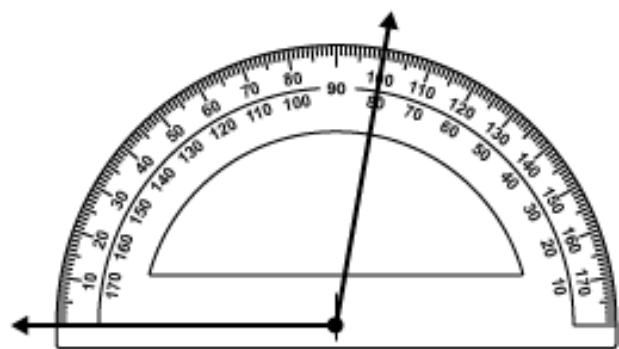


What is the measurement of the angle shown below?



The measure of the given angle is \_\_\_\_\_ degrees.